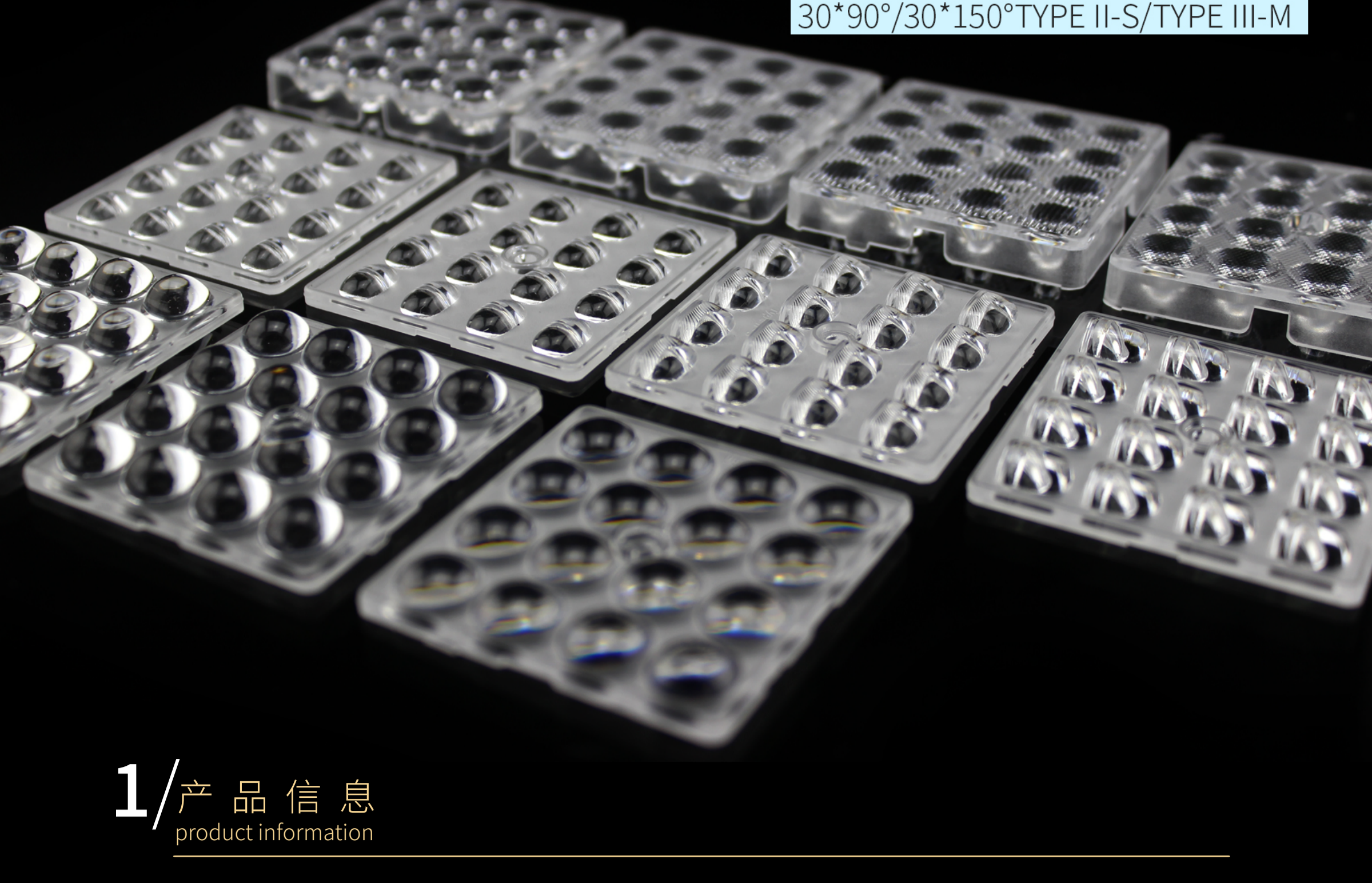


# 16合一小模块透镜

16-in-1 small module lens series

15°/25°/36°/45°/60°/90°/10°60°/  
30°90°/30°150°TYPE II-S/TYPE III-M



## 1/产品信息

product information

产品编号: SN16XX-L50AXXL  
Product number

灯珠颗粒: 16  
LED number

产品尺寸: 50.0\*50.0MM  
Product Dimension

透光效率: 93%  
transmission efficiency

光束角度: 15°/25°/36°/45°/60°/90°/10°60°/  
30°90°/30°150°/TYPE II-S/TYPE III-M  
Beam angle

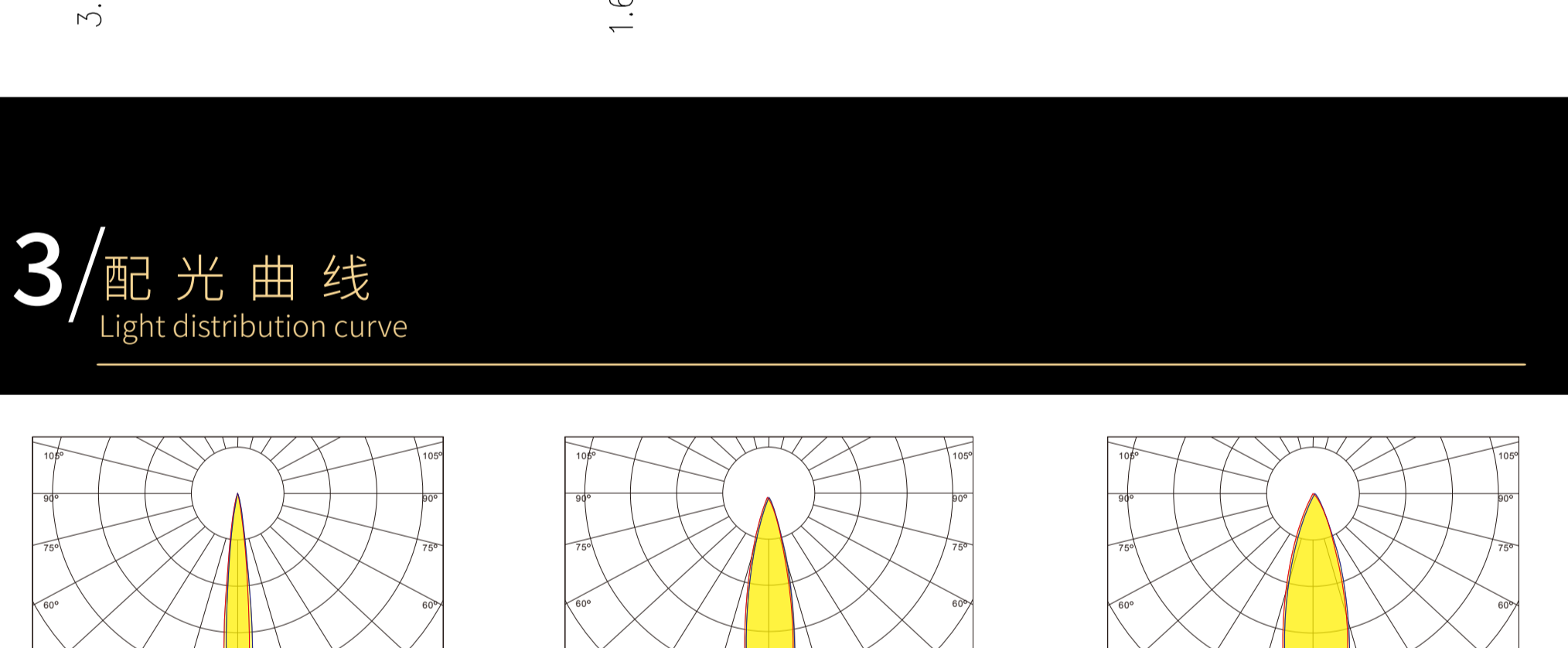
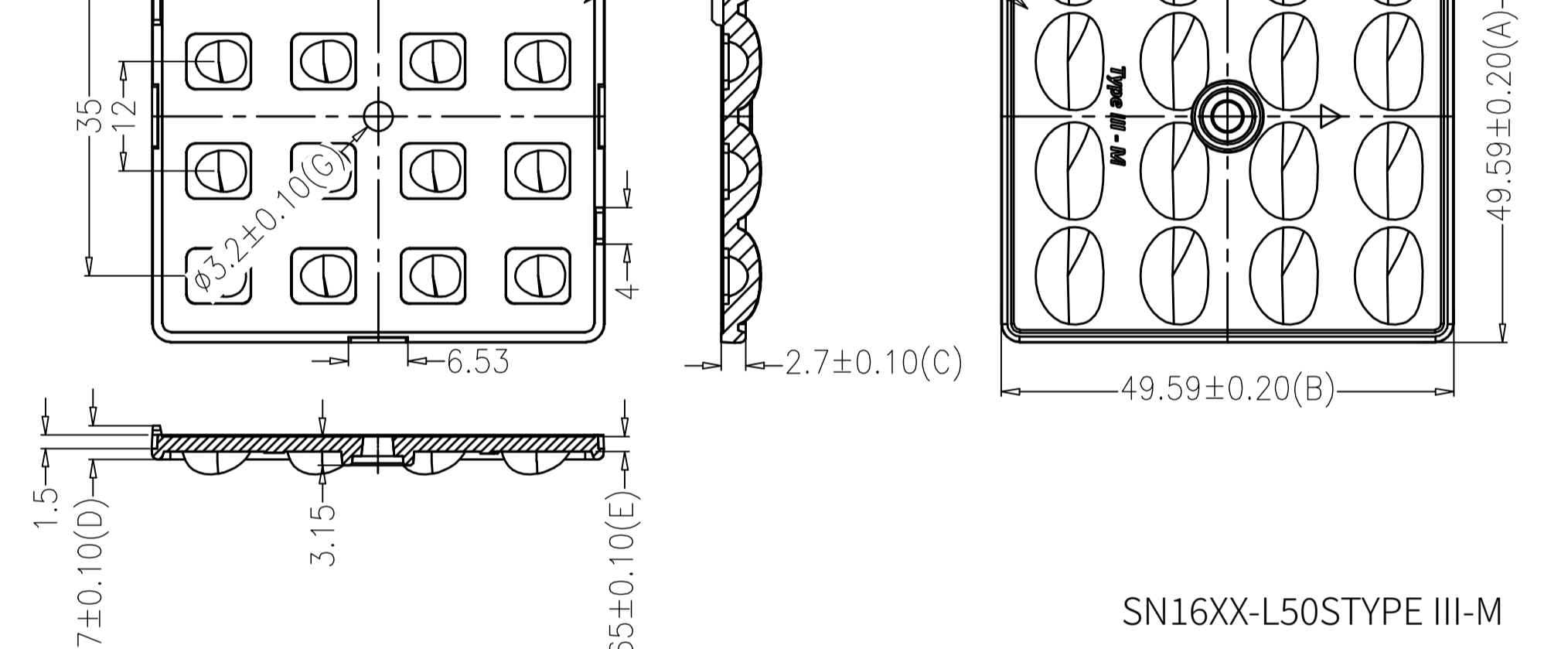
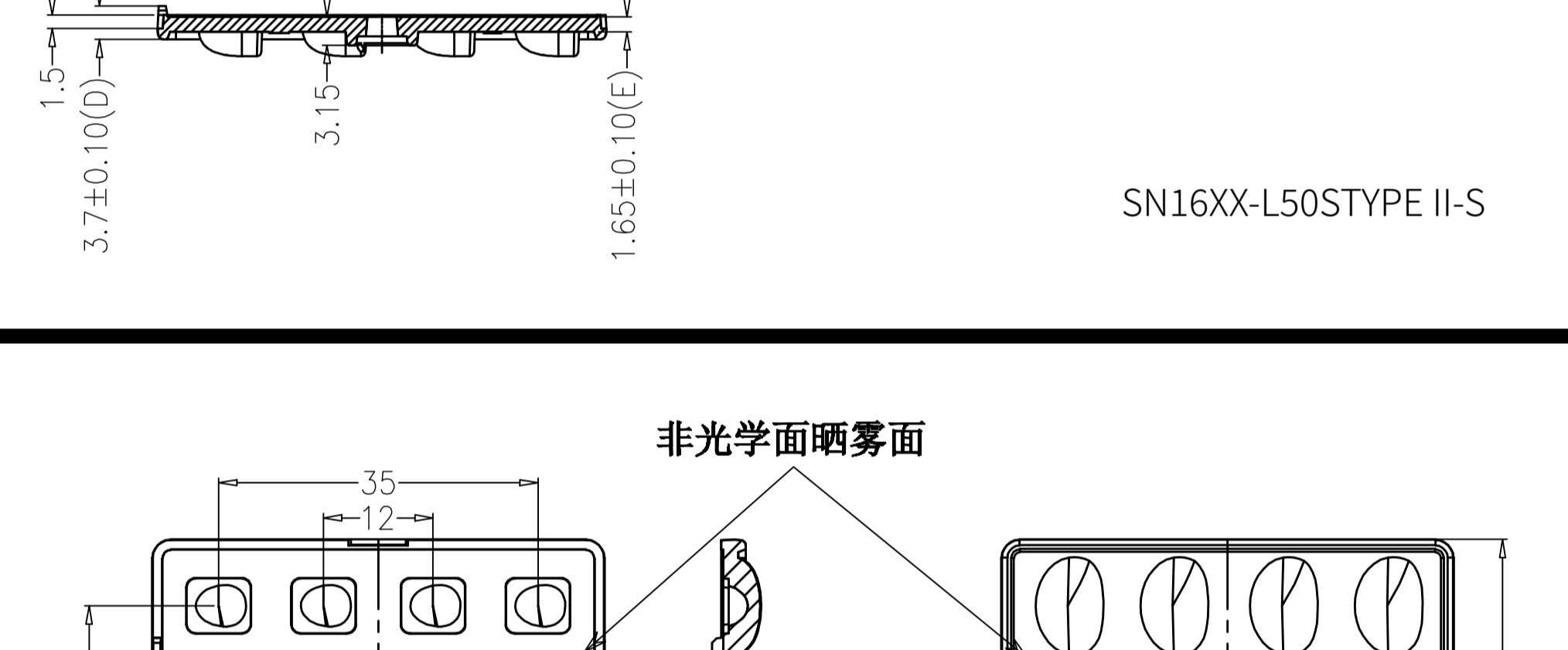
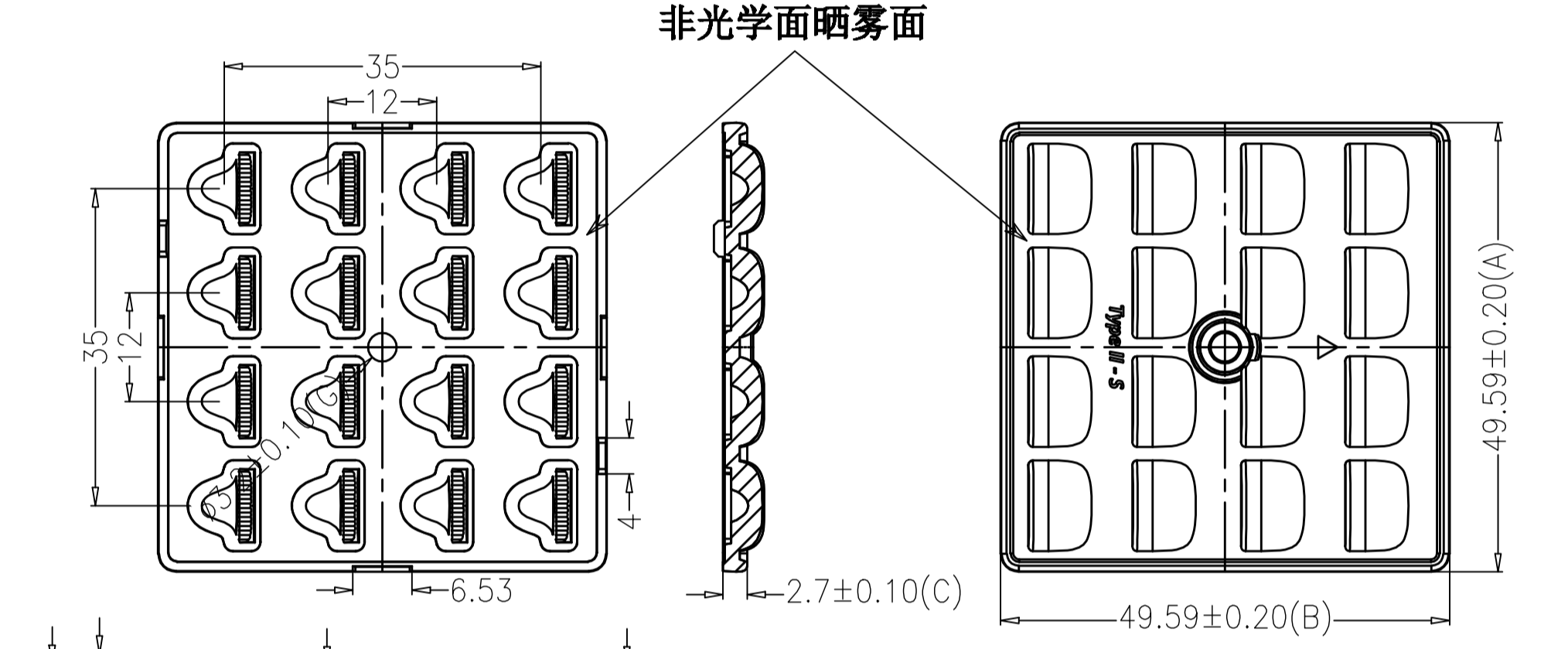
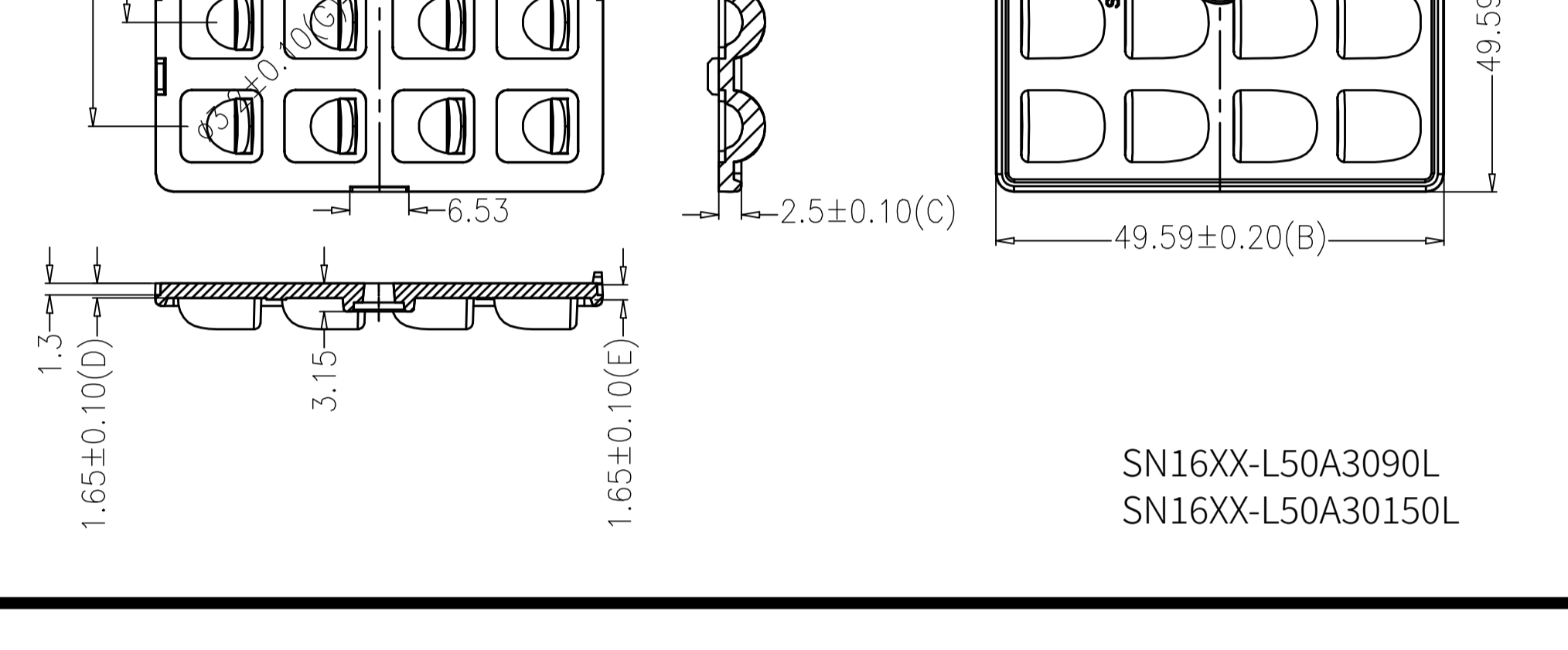
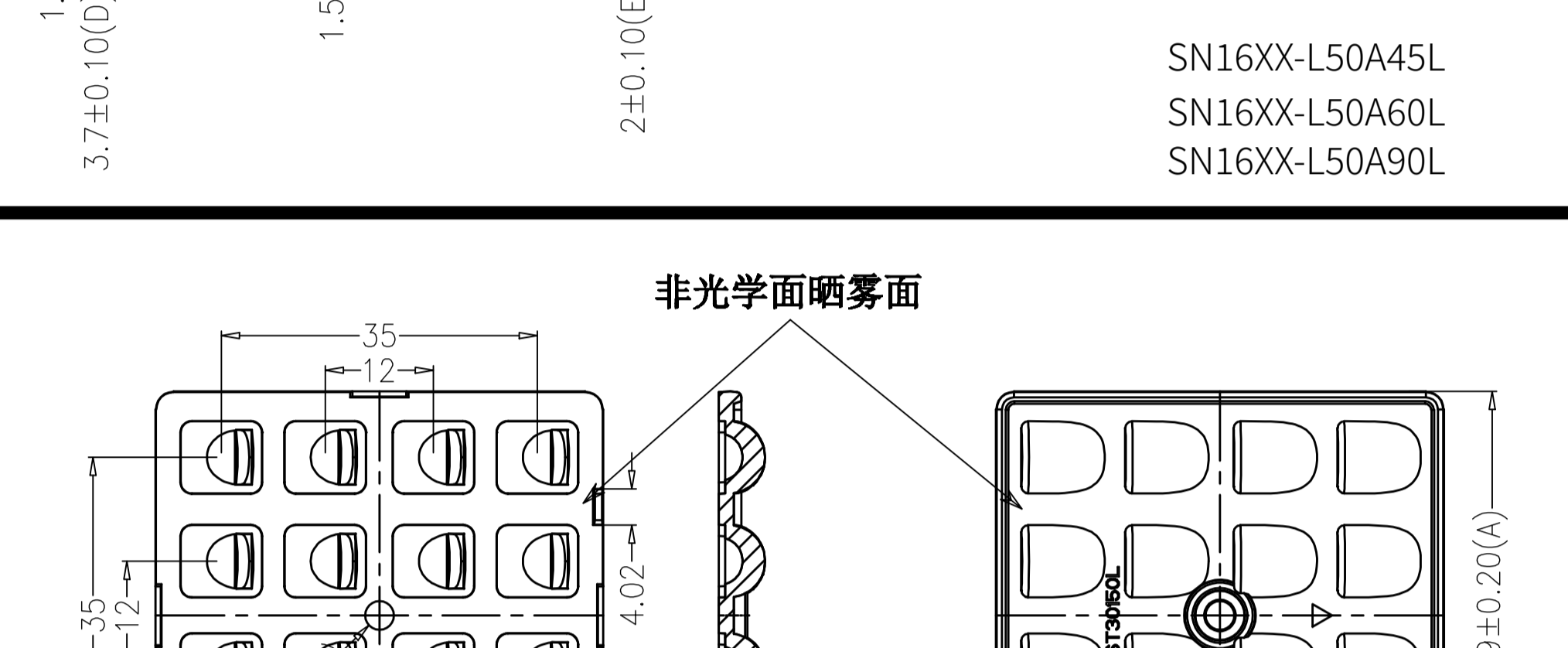
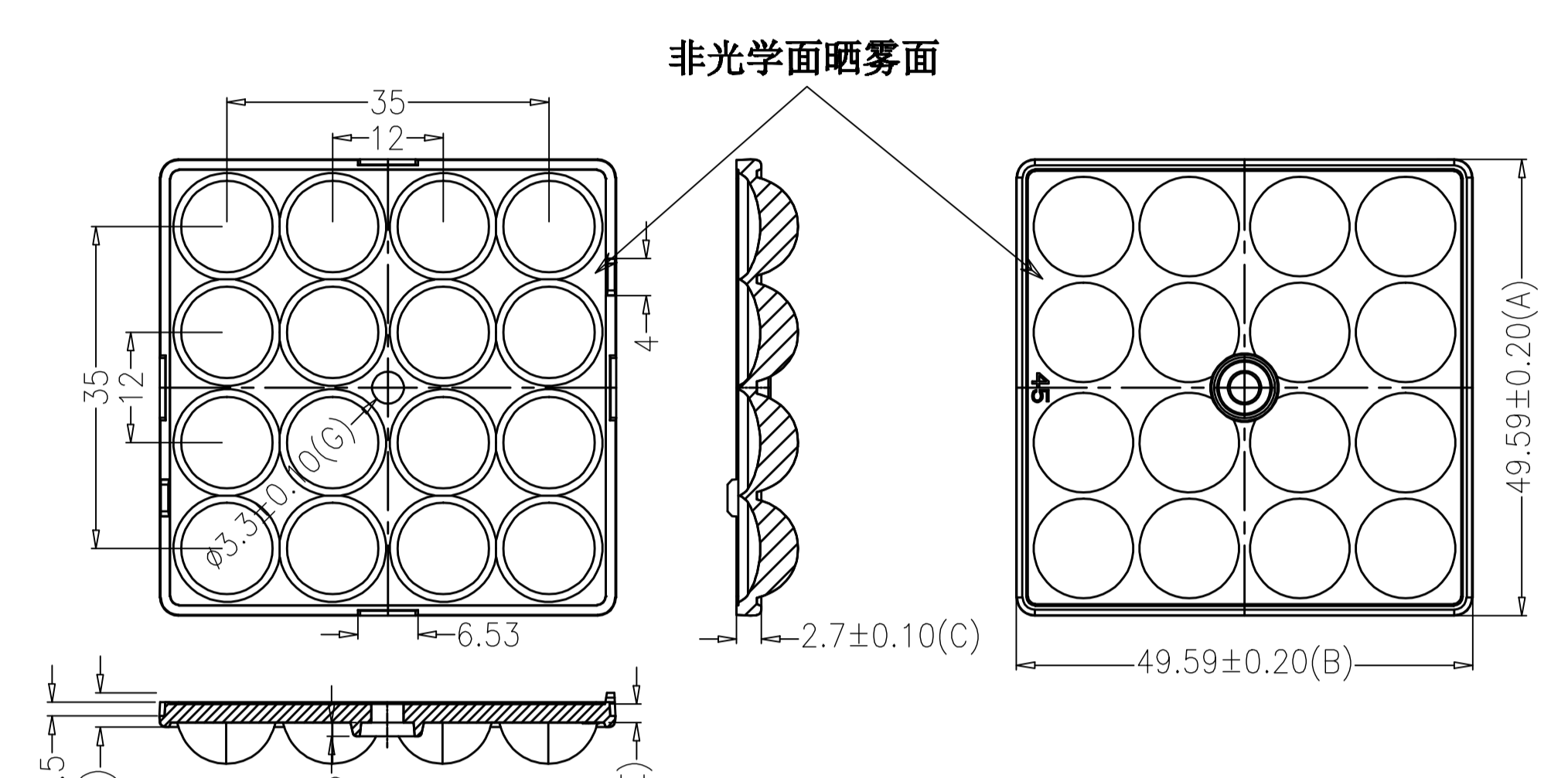
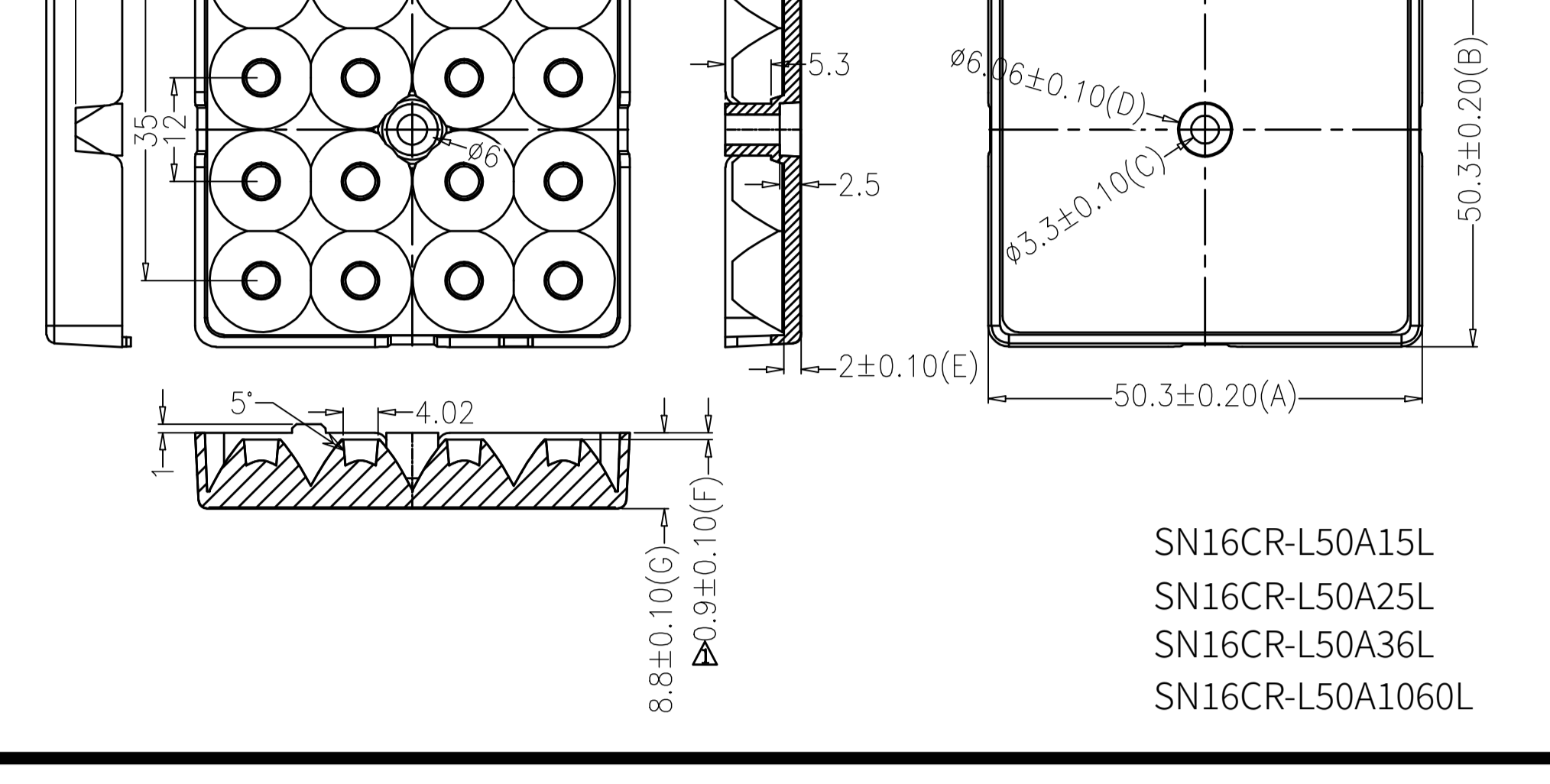
适配光源: 3535/5050 series LED  
Matching LED

产品材质: PMMA  
product material

应用场景: 道路、园艺、室内和室外等照明应用场景  
Application  
Lighting applications such as roads, gardening, indoors and outdoors

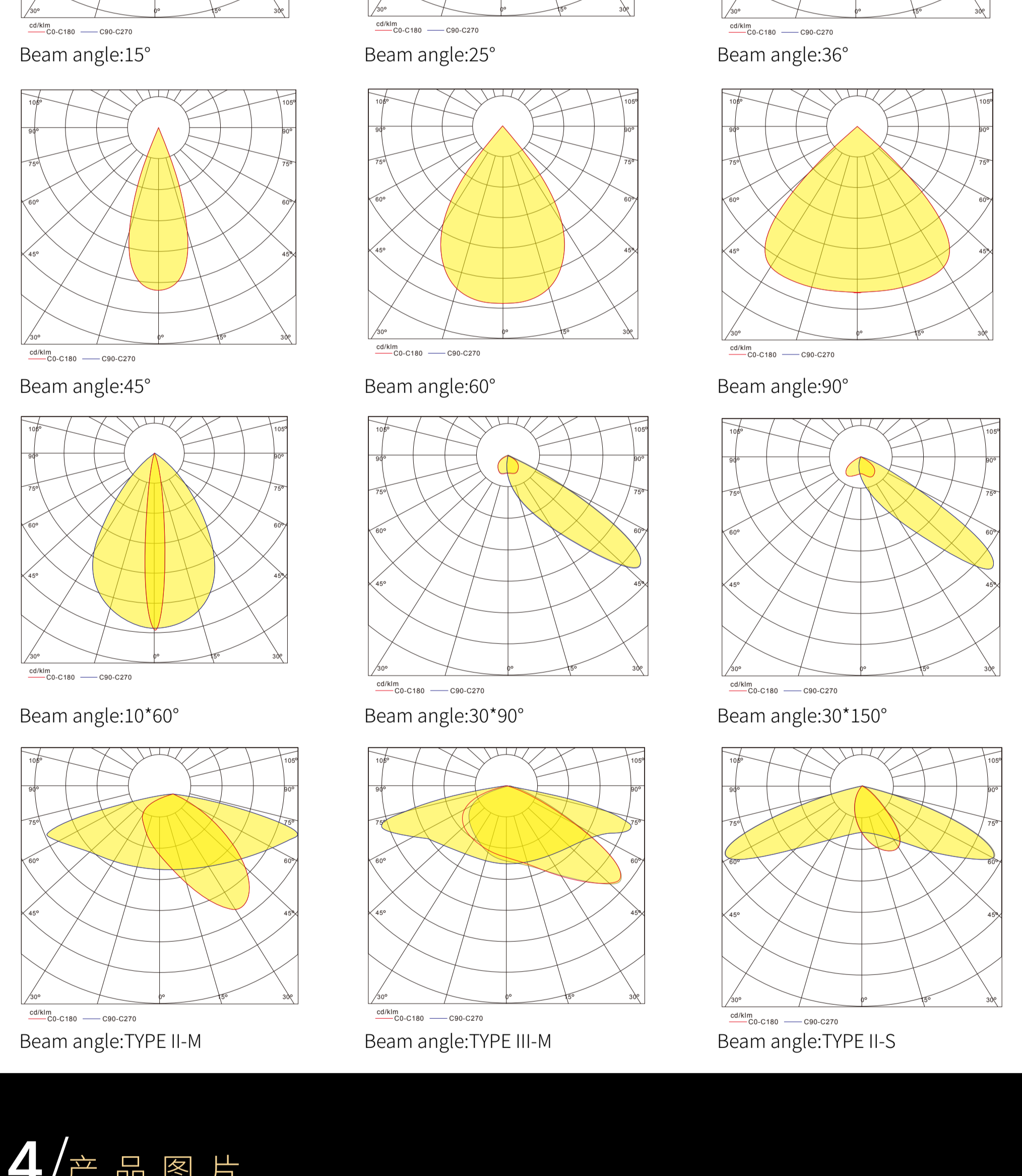
## 2/产品尺寸

product dimensions



## 3/配光曲线

Light distribution curve



## 4/产品图片

Product picture

